



PFEIFFER

Kostelní 101
549 54 Police nad Metují
Czech Republic
Tel/fax: +420 491 541 520
Mobil: +420 739 403 555
E-mail: kp.br@tiscali.cz
Web: www.elektromotory-pfeiffer.cz



Dear business friends!

In 1996 we bought a license from ČKD Hronov for the production of cast-iron frames, type S57A for drillers. Since 1997 the production has been successfully running.

The frame has been innovated as S57A-PF and has become a useful assistant at homes and workshops. Its biggest advantage is it's space-undemanding - you need just 0,25 square meters to use it. It serves best for drilling but can be used as well for sharpening, bearing pressing, plumb cutting of lap turns, planing with emery disc etc. It also has special devices for milling and lathing. You can even clean your shoes with it.

You will find more information about use of S57A-PF in the manual and we'll be happy to show it to you at any time in person, too.

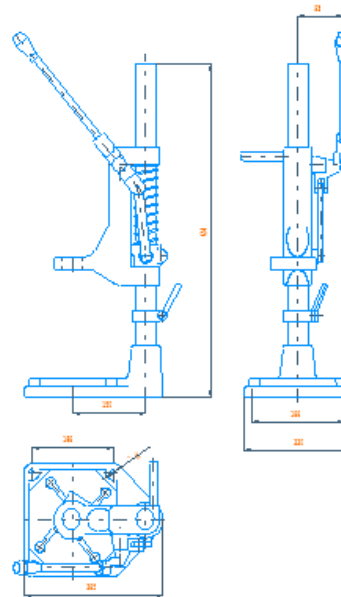
Basic equipment of S57A-PF:

- double-end emery disc d = 120
- disc sander
- plug for cutting lap turns
- 2 hardwood plates for binding
- 4 steel backings for accurate setting
- punch
- manual

Special devices:

- for milling: **350 CZK + VAT**
- for lathing: **600 CZK + VAT**

Price: 3 999 CZK



Shipping according to previous agreement at customer's expense, personal collection preferred.
Collection against a pay statement (unless paid by cash).

We guarantee the best quality and easy and safe handling of our product.

The frame S57A-PF has a Czech and European certification EN 292-2.
Customs price list No: 8466103900 CZ

We are looking forward to hearing from you and are ready to accommodate your wishes and needs.

Best regards

Karel Pfeiffer
owner